

# SENSORONIX

ADVANCED MAGNETIC SENSOR TECHNOLOGY

## The New 1/4- 40" (6.3mm) Diameter Series Hall Effect Sensors by SENSORONIX!

**Date Released:** 9/1/2015

**Product Category:** Hall Effect Zero Speed Sensor

**Part Number:** HS220-400

**Other Categories Available:** Proximity, Position

**HS Series:** This Sensor measures the distortion of magnetic field created by a ferrous target. Hall-Effect Zero speed sensors provide very precise measurements of movement even at zero speed which makes the Hall-Effect zero speed sensors ideal for speed measurements.



### PRODUCT SPECIFICATIONS

**Supply Voltage:** 4.5 to 24 VDC

**Supply Current:** 10 mA Max

**Output Signal:** Digital , NPN, with 4.7K pull-up Resistor

**Output Current:** 20 mA Sink

**Target Wheel:** One tooth or slots to 32 pitch gear

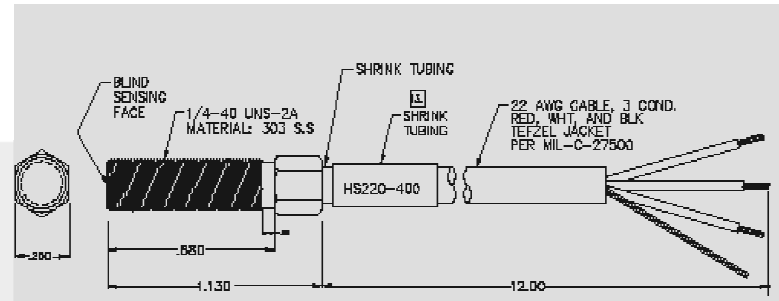
**Airgap:** 0.100" with 8 pitch gear

**Operating Temp. Range:** -40 to 125 °C

**Frequency:** 0-15 KHZ

**Protection:** Reverse Polarity Protection

### P/N: HS220-400 DRAWING



Please contact SENSORONIX for more information on the new Hall Effect Speed Sensor Series.

Tel: (949)528-0906. Fax: (949)385-4958

E-mail: [Sales@sensoronix.com](mailto:Sales@sensoronix.com)

Website: [www.sensoronix.com](http://www.sensoronix.com)

# SENSORONIX