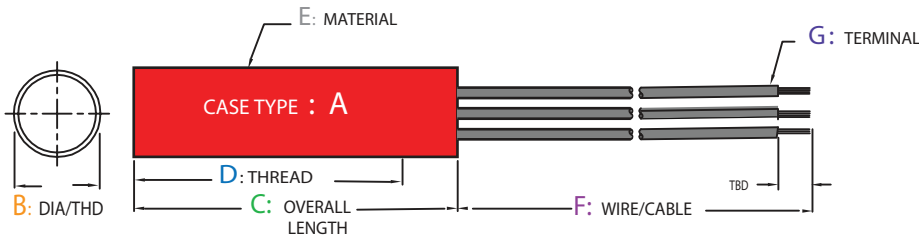


# HA Part Number Nomenclature

The standard part number includes the sensor type, case type, case diameter, terminal type as well as any special modifications.  
Please contact Sensoronix if you need more detailed information.

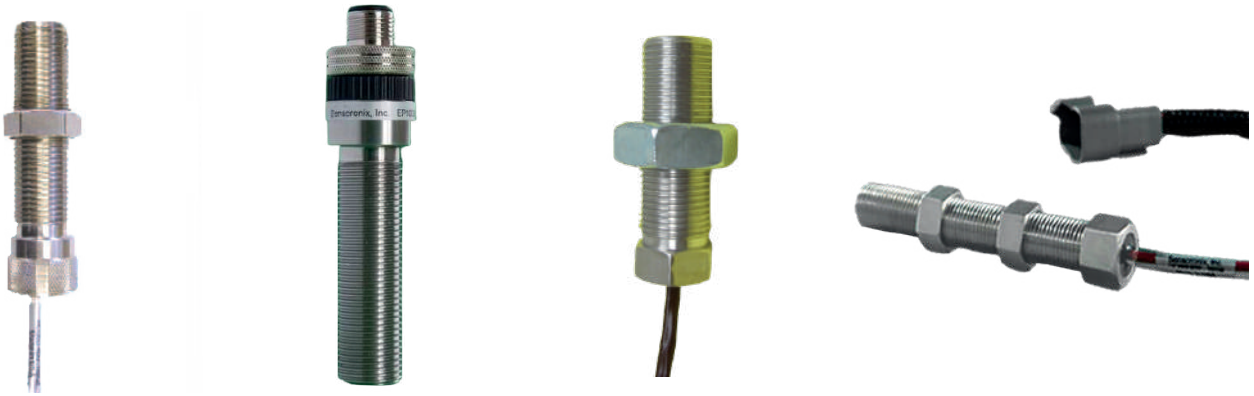


CASE TYPES	DESCRIPTION	A
	SMOOTH	0
	ALL THREAD	1
	HEX HEAD	2
	KNURL HEAD	3
	CONNECTOR HEAD	4
	WRENCH FLAT HEAD	5
	SMOOTH / THREAD	6
	WITH FLANGE	7

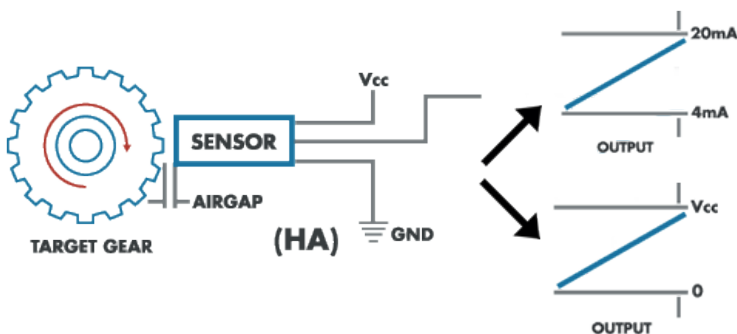
Lineaar Speed Sensor		HA		X	X	X	-	X	X	X	Special Modifications	
Case Type											Output: 0 - 10 VDC 10	
Case Diameter "B"											Output: 4 - 20 mA 20	
1/2" (0.500")	5X	<b>METRIC</b>									Terminal "G"	
5/8" (0.625")	6X	M-8	08							Connector	0	
3/4" (0.750")	7X	M-12	12							Conn. & Wire	1	
7/8" (0.875")	8X	M-16	16							Conn. & Cable	2	
Others	9X	M-18	18							Lead Wires	3	
		M-20	20							Cables	4	
		M-22	22									



# Hall-Effect Speed Sensor W/ Linear Output (HA)



Non-contact linear speed magnetic sensors that uses Hall effect technology to measure the velocity of a rotating object. This sensor is a complex device with signal conditioning that is powered and provides a 4 - 20 mA or a 0 - 10 VDC linear output for velocity measurement.



Target: Ferrous Material Gear Tooth with range of Min. 4 to 32 Gear Pitch

$$P = \frac{N + 2}{OD}$$

P = Gear Pitch  
N = Num. of Teeth  
OD = Outside Diameter

Frequency: 15 kHz Max

Output Type: Analog (Linear) Output Speed Sensor

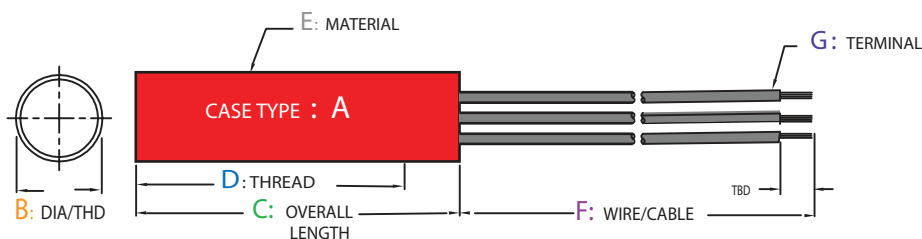
## Example of Common Applications

### Automotive, Aerospace & Off Highway

**Applications:** Satellite, Airplane Speed, Truck, Car, Motorcycle, Boat, Helicopter Speed Monitoring, Crankshaft, Transmission, Dynamometer, Engine Speed, Tractors, Hydraulics, Automation Control, Military Vehicles, Turbines, Railway.



# Standard (HA) Products Available



Please contact Sensoronix for more detailed information on the standard sensors listed below. All products are custom designed to meet your exact specification requirements.

PART #	MECHANICAL SPECIFICATIONS							ELECTRICAL SPECIFICATIONS						ENVIROMENT	
	A	B	C	D	E	F	G	INPUT VOLTAGE (VDC)	INPUT CURRENT (mA)	OUTPUT RANGE	OUTPUT CURRENT (mA)	FREQUENCY RANGE (Hz)	SENSITIVITY (mV/Hz)	FRONT SEALED	TEMP RANGE (°C)
<b>5/8" Diameter Series</b>															
HA260-410	2	5/8 - 18	3.31	3.00	303 S.S.	120 ± 3	22 AWG, 3 CON. CBL. W/ SHLD, PVC INS.	24	35	0 - 10 VDC	10	0 to 2500	50	Epoxy	0 to 85
HA260-420	2	5/8 - 18	3.30	3.00	303 S.S.	120 ± 3	22 AWG, 3 CON. CBL. W/ SHLD, PVC INS.	24	35	4 - 20 mA	10	0 to 83	0.8	Epoxy	0 to 85
HA360-410	3	5/8 - 18	2.72	2.14	303 S.S.	72 ± 3	22 AWG, 3 CON. CBL. W/ SHLD, PVC INS.	24	35	0 - 10 VDC	10	0 to 500	50	Epoxy	0 to 85
HA360-420	3	5/8 - 18	2.72	2.14	303 S.S.	72 ± 3	22 AWG, 3 CON. CBL. W/ SHLD, PVC INS.	24	26	4 - 20 mA	10	0 to 500	0.8	Epoxy	0 to 85
HA460-010	4	5/8 - 18	2.62	1.48	303 S.S.	-	3 PINS AMPHENOL CONN: MATE W/ MS3106A	24	35	0 - 10 VDC	10	0 to 500	0.8	Epoxy	0 to 85
HA560-420	5	5/8 - 18	3.00	2.63	303 S.S.	120 ± 1	22 AWG, 3 CON. CBL. W/ SHLD PVC INS.	24	35	4 - 20 mA	10	0 to 110	0.8	303 S.S.	-20 to 95
<b>3/4" Diameter Series</b>															
HA270-410	2	3/4 - 16	2.34	2.00	Alum.	72 ± 3	22 AWG, 3 CON. CBL. W/ SHLD, PVC INS.	24	26	0 - 10 VDC	10	0 to 200	50	Epoxy	0 to 70
HA270-420	2	3/4 - 16	2.34	2.00	Alum.	72 ± 3	22 AWG, 3 CON. CBL. W/ SHLD, PVC INS.	24	26	4 - 20 mA	10	0 to 1000	0.8	Epoxy	0 to 70
HA271-420	2	3/4 - 16	2.34	2.00	Alum.	120 ± 3	22 AWG, 3 CON. CBL. W/ SHLD, PVC INS.	24	26	4 - 20 mA	10	0 to 50	0.8	Epoxy	0 to 70
<b>M18 Diameter Series</b>															
HA118-420	1	M18 x 1.5	3.13	3.13	303 S.S.	80 ± 3	22 AWG, 3 CON. CBL. W/ SHLD, PVC INS.	24	26	4 - 20 mA	10	0 to 50	0.8	303 S.S.	0 to 70
<b>M22 Diameter Series</b>															
HA222-220	2	M22 x 1.5	3.31	3.00	303 S.S.	118 ± .5	22 AWG, 3 CON. CBL. W/ TEFF. INS. DEUTCH CONN. P/N: DT04-3P	24	35	4 - 20 mA	10	0 to 200	0.8	303 S.S.	-20 to 95

## Part Number Nomenclature

